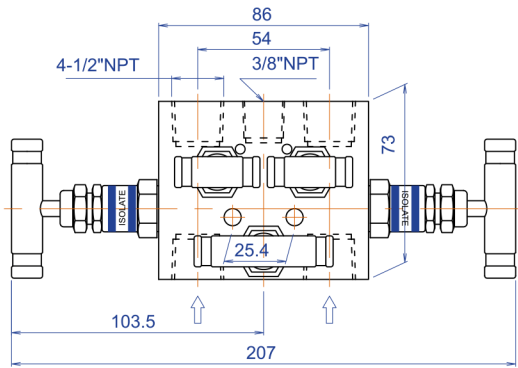
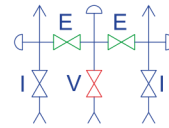


## 5 Valve Manifolds

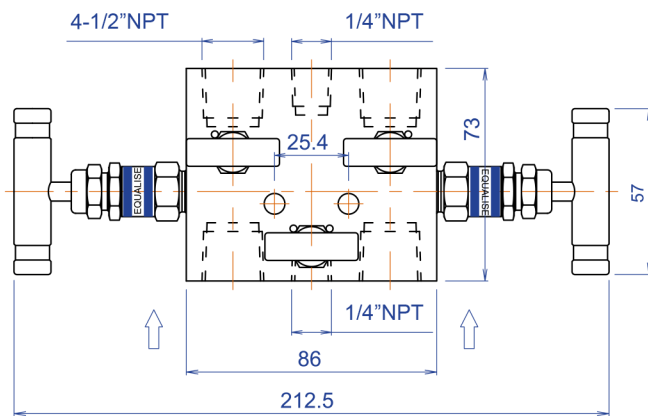
Ordering No.	End Connection			Valve Seat	Max. W.P. at 38°C (100°F)
	Inlet/Process	Outlet/Instrument	Vent/Test		
5VM01S	1/2"NPT female	1/2"NPT female	1/4"NPT female	Metal	6000psi



FLOW DIAGRAM



Ordering No.	End Connection			Valve Seat	Max. W.P. at 38°C (100°F)
	Inlet/Process	Outlet/Instrument	Vent/Test		
5VM02S	1/2"NPT female	1/2"NPT female	1/4"NPT female	Delrin <sup>®</sup>	6000psi



FLOW DIAGRAM

